

Mounting the FC77

Mounting the FC77 to the wall or a desk



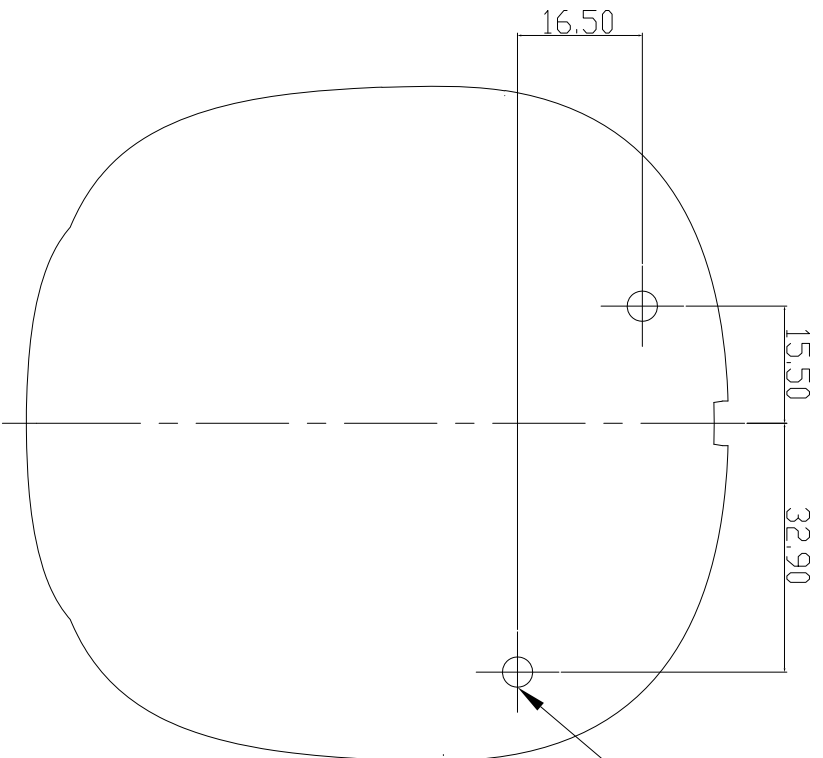
1. Acquire two screws: we suggest two M4X12 screws.



2. Print the template on the next page.
3. Use the full-scale template image to determine where to position the screws.
4. Screw in the screws leaving some space for head of the screw to slide under the lip of the FC77 screw hole.
5. Clip in the FC77 cable and press the cable fully into the narrow channel.



6. Mount the FC77 by placing over the screw heads and pressing forward.



2-M4X12